



vitradual™

NON-COMBUSTIBLE CASSETTE CLADDING / MANUFACTURED BY FAIRVIEW

PRODUCT INFORMATION

WWW.FV.COM.AU







vitr dual[™]

NON-COMBUSTIBLE CASSETTE CLADDING / MANUFACTURED BY FAIRVIEW

ABOUT VITRADUAL

Vitr dual is a 3mm non-combustible solid aluminium cassette façade cladding system that forms part of Fairview's range of NCC compliant, deemed non-combustible cladding solutions; suitable for Type A and B constructions where non-combustible products are required.

Vitr dual is a high impact resistant, solid panel which can be fabricated, curved and rolled. The pre-finished large format cladding panels feature the same PVDF coating system as Fairview's leading aluminium panel Vitracore G2; well proven for its superior quality, extensive colour range and design integrity.

DOCUMENT TRACKING

VERSION #	DATE	CHANGES
1.0	03/08/20	Initial Issue
1.1	07/09/20	Content Updated



vitradual™

NON-COMBUSTIBLE CASSETTE CLADDING / MANUFACTURED BY FAIRVIEW

KEY FEATURES

Vitradual's versatility is achieved due to the combination of high-quality considerations and industry leading components. It is an ideal product for application in Type A and B developments where non-combustible building materials are critical. Vitradual is one of the few large format cladding panels that are deemed non-combustible when tested to AS1530.1 and AS1530.3.

PRODUCT	VITRADUAL
Product DNA	Pre-finished solid aluminium panel
Finish	Vitradual uses only the highly recognised PVDF Kynar 500® or FEVE paints known for their high durability, providing the optimum resistance to weather and industrial pollution.
Fixing System	A cassette style concealed fixing system which is the same to fabricate and install as traditional ACPs.
Application	Type A and B constructions where non-combustible materials are required such as mixed-use developments, residential construction, and large-scale government infrastructure projects like hospitals.
Warranty	15-year warranty, subject to standard terms and conditions.

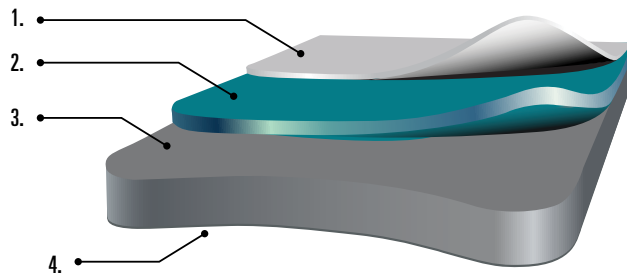
PANEL INFORMATION

Vitradual is a 3mm solid aluminium product. The panels weigh in at 8.1 kilograms per square metre, making the product ideal for large infrastructure developments such as schools and hospitals.

Vitradual is available in a variety of width and length combinations to suit almost any project and custom sizes are also available on request.

TYPICAL COMPOSITION

1. Protective film
2. PVDF-Kynar 500® coating system
3. 3mm Aluminium
4. Protective rear coating



The material is rigid, resistant to blows, breakage and pressure and has high bending, buckling and breaking strengths.

DIMENSIONS

Thickness: 3mm

PANEL SIZES

WIDTH	LENGTH
1250/1500	2500
	3200
	4000

CUSTOM SIZES ARE AVAILABLE, PLEASE SPEAK TO THE FAIRVIEW TEAM

*Note: may not be available in all finishes.



vitradual[™]

NON-COMBUSTIBLE CASSETTE CLADDING / MANUFACTURED BY FAIRVIEW

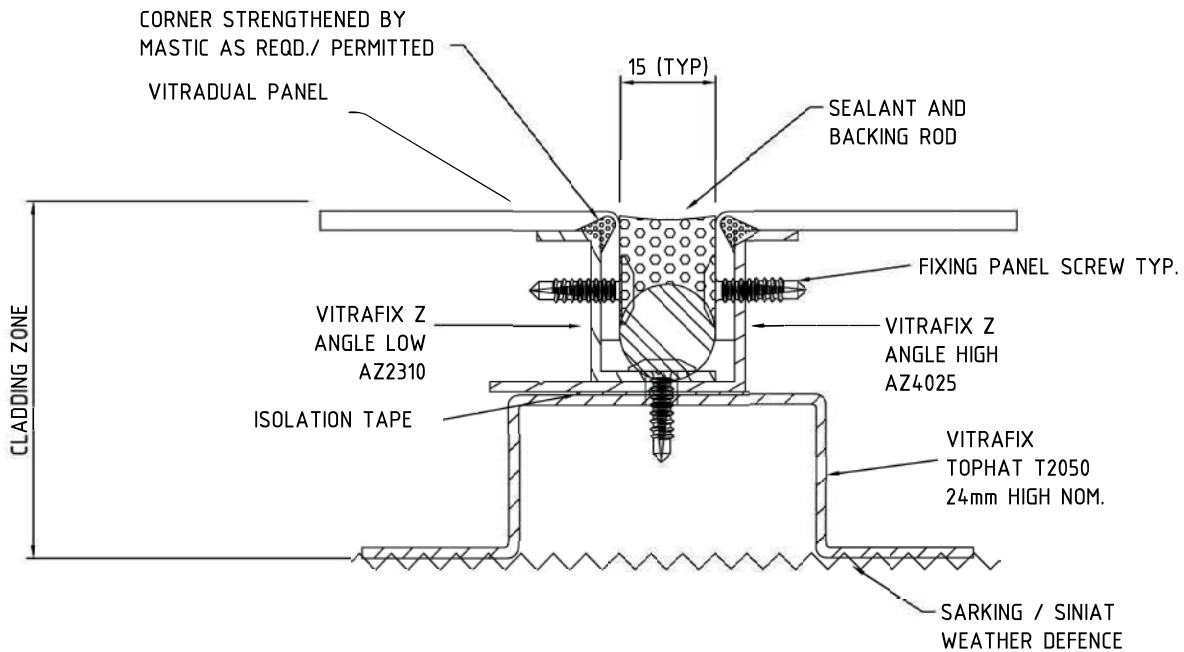
FINISH

Vitradual uses only the highly recognised PVDF Kynar 500® or FEVE paints known for their high durability. These premium paints provide the ultimate resistance to weather and industrial pollution on commercial, industrial, infrastructure and residential developments.

More than 50 years of South Florida Exposure Testing is continuing to confirm the superior chemical and physical properties of fluoropolymer coatings.

Vitradual has virtually an unlimited colour range with the possibility of matching almost any panel colour, which provides a fully customisable option to achieve your dream design.

FIXING SYSTEM



*The above diagram is indicative only.
For more information please refer to the Vitradual Technical Information.

APPLICATION

Vitradual is suitable for application on Type A and B constructions including hospitals and mixed-use developments. The 2019 NCC A1 clause C1.9e (v) permits the use of pre-finished metal sheeting wherever deemed non-combustible materials are required.

Vitradual is deemed non-combustible to AS1530.1 and AS1530.3. Prior to installation, we recommend consulting a professional.

WARRANTY

Vitradual is an incredibly durable material when used in the right application. Vitradual includes a 15-year warranty, subject to standard terms and conditions.



CASE STUDY

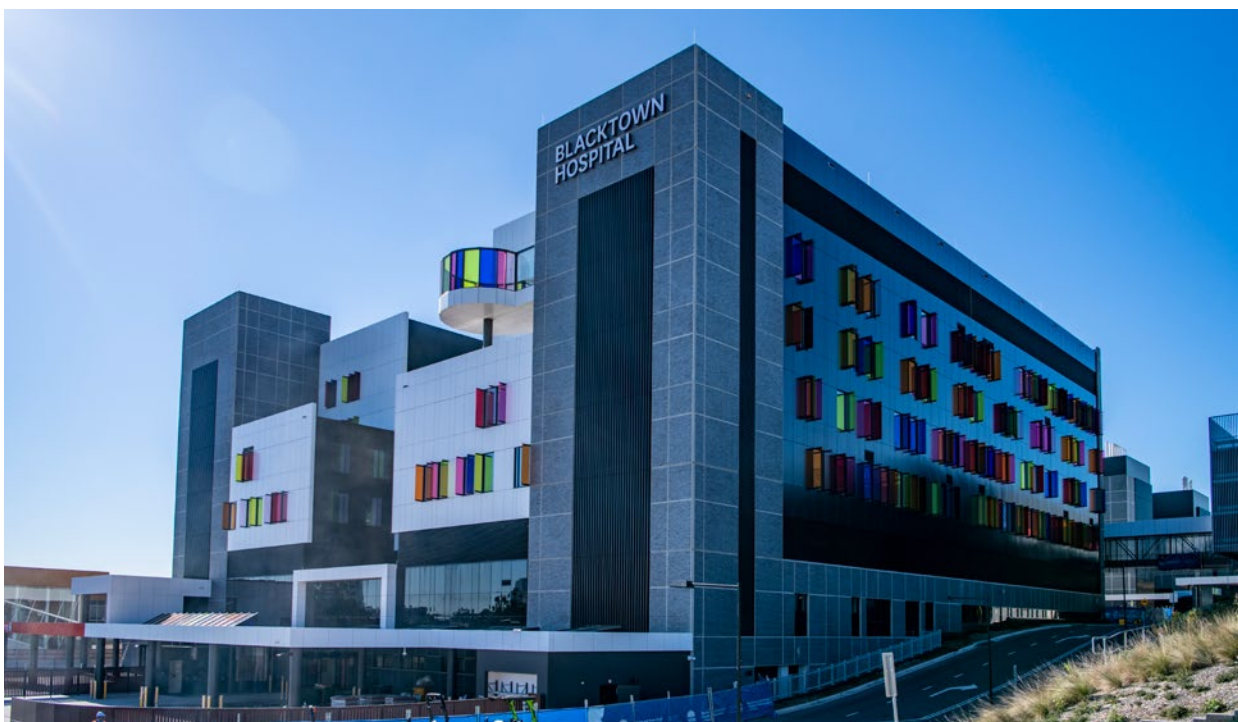


NSW BLACKTOWN HOSPITAL

BUILDING CLASSIFICATION:	HOSPITAL
ADDRESS:	4-6 MARCEL CRESCENT, BLACKTOWN NSW 2148
ARCHITECT:	JACOBS
ARCHITECT WEBSITE:	JACOBSARCHITECTURE.COM
BUILDER:	A.W. EDWARDS
BUILDER WEBSITE:	AWEDWARDS.COM.AU
FAIRVIEW PRODUCT USED:	VITRADUAL SNOW WHITE AND ENIGMA BLACK
QUANTITY:	8700M2
INSTALLER/S:	MELVIN (AUST) PTY LTD

Fairview assisted in the decision-making process with all stakeholders to ensure this project had the best possible outcome for the façade in terms of safety and compliance. Vitradual fits seamlessly into this façade beside a stunning brick and glazing works to create one of the most aesthetically appealing government projects to date.

Vitradual is a non-combustible solid aluminium cassette cladding system that can be fabricated, curved and rolled.





DISCLAIMER

While the information provided relating to Fairview products is true to the tests and measures available to us, the information provided in this article is general in nature only and does not constitute project-specific building, construction or fire-safety advice. Before acting on any information on this document, you should consider the appropriateness of the information having regard to your project parameters and requirements. Fairview products are only deemed suitable or compliant after approval from building and construction professionals associated with specific projects and developments. If you'd like some further insight about this topic, contact Fairview on 1800 007 175 or email helpdesk@fv.com.au. We're here to help.



FAIRVIEW™

DEFINING ARCHITECTURE SINCE 1968

AUSTRALIA / NEW ZEALAND / UNITED KINGDOM
SALES ENQUIRIES 1800 007 175 HELPDESK.AU@FV.COM.AU

SEPTEMBER 2020