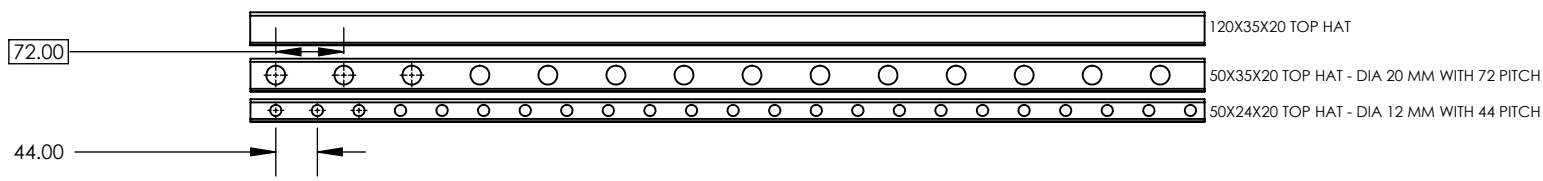
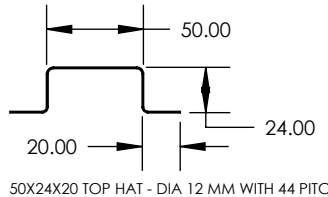
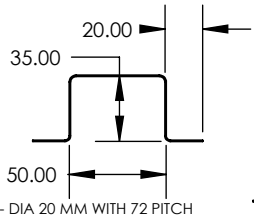
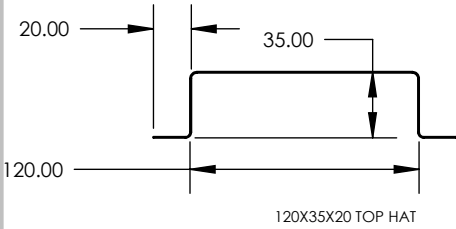
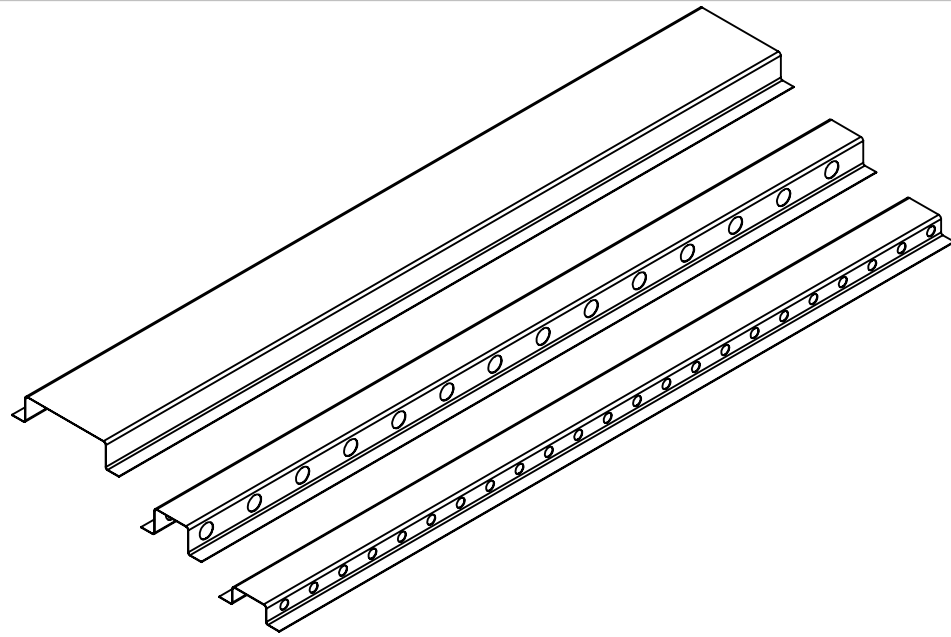


2

1

B

B



A

A

# PERFORATED TOP HATS

2

1